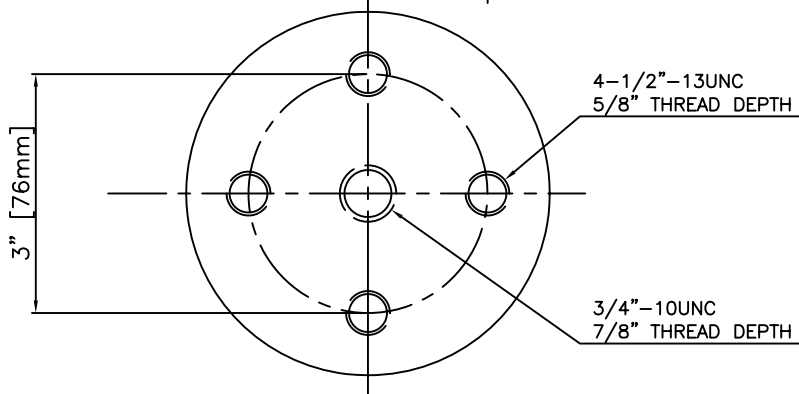


TECHICAL REQUIREMENTS

- |   |                  |
|---|------------------|
| 1. CANTILEVER STRENGTH:                   | 3000# [13.6KN]   |
| 2. TENSILE STRENGTH:                      | 5000# [22.7KN]   |
| 3. TORSION STRENGTH:                      | 6000# [27.2KN.M] |
| 4. COMPRESSION STRENGTH:                  | 30000# [136KN]   |
| 5. NEMA. VOLTAGE RATING:                  | 7.2KV            |
| 6. 50 HERTZ WITHSTAND-DRY:                | 26KV             |
| 7. 50 HERTZ WITHSTAND-DEW:                | 24KV             |
| 8. IMPULSE WITHSTAND:                     | 75KV             |
| 9. GLAZE: ANSI 70 LIGHT GREY              |                  |
| 10. APPLICABLE STANDARD: ANSI C29.10-1989 |                  |



Medium Voltage Solutions

Eric, Pennsylvania, USA  
 Tel: 814-520-6385  
 Email: info@mvpower.us  
 Web: www.mvpower.us

PART NO. A30-2  
 INDOOR BUS SUPPORT